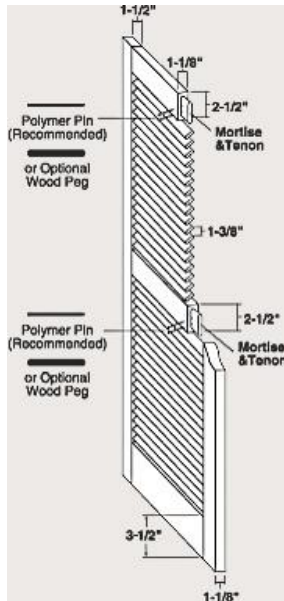


SUMMIT HILL

FINE CUSTOM WOOD PRODUCTS

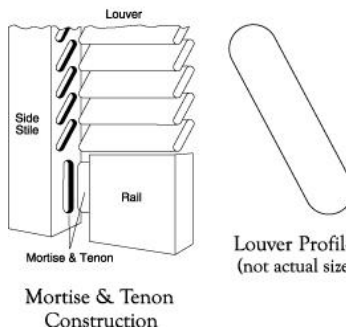
Exterior Shutter Specifications

1-1/8" thick flush stile & rail fixed louver



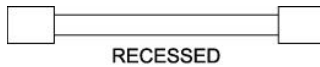
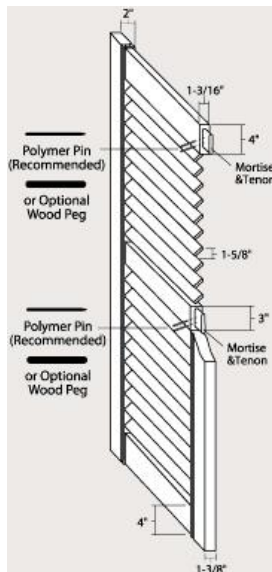
FLUSH

Side Stiles:	1 1/2" x 1 1/8"
Top Rail:	2 1/2" x 1 1/8"
Center Rail:	2 1/2" x 1 1/8"
Bottom Rail:	3 1/2" x 1 1/8"
Louver:	1 3/8" x 1/4"



Mortise & Tenon Construction

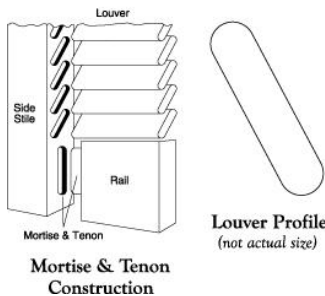
1-3/8" thick recessed stile & rail fixed louver



RECESSED

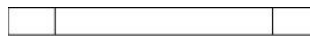
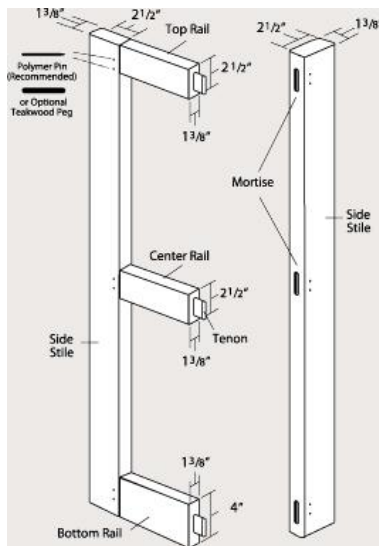
SPECIFICATIONS

Side Stiles:	2" x 1 3/8"
Top Rail:	4" x 1 3/16"
Center Rail:	3" x 1 3/16"
Bottom Rail:	4" x 1 3/16"
Louver:	1 5/8" x 3/8"



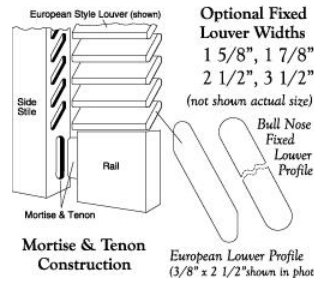
Mortise & Tenon Construction

1-3/8" thick flush stile & rail fixed louver

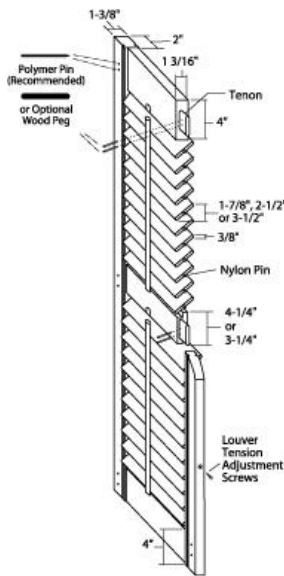


FLUSH

Side Stiles: 2 1/2" x 1 3/8"
 Top Rail: 2 1/2" x 1 3/8"
 Center Rail: 2 1/2" x 1 3/8"
 Bottom Rail: 4" x 1 3/8"
 Louver Thickness: 3/8"
 Optional louvers available. See below.



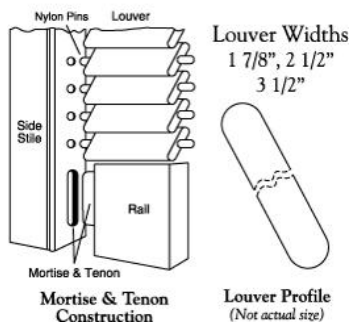
1-3/8" thick recessed stile & rail moveable louver



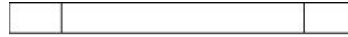
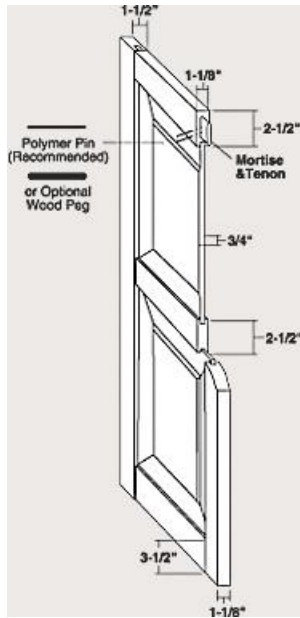
RECESSED

SPECIFICATIONS

Side Stiles: 2" x 1 3/8"
 Top & Bottom Rail: 4" x 1 3/16"
 Center Rail: 3 1/4" x 1 3/16"
 or 4 1/4" x 1 3/16"
 Louver Thickness: 3/8"

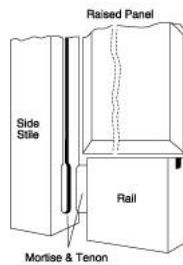


1-1/8" thick flush stile & rail raised panel



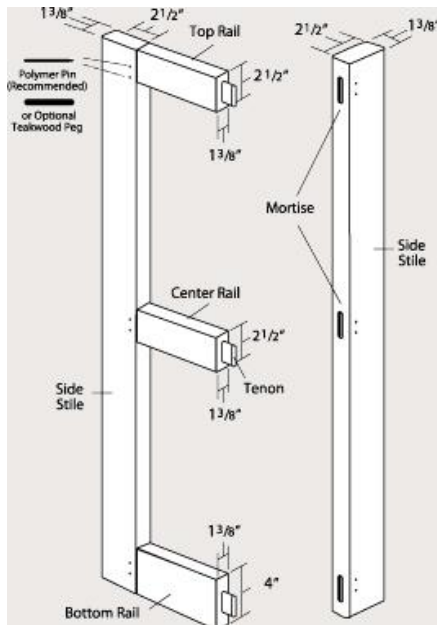
SPECIFICATIONS

Side Stiles:	1 1/2" x	1 1/8"
Top Rail:	2 1/2" x	1 1/8"
Center Rail:	2 1/2" x	1 1/8"
Bottom Rail:	3 1/2" x	1 1/8"
Panel Thickness:		3/4"



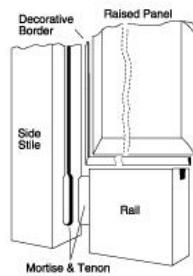
Mortise & Tenon Construction

1-3/8" thick flush stile & rail raised panel



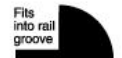
SPECIFICATIONS

Side Stiles:	2 1/2" x	1 3/8"
Top Rail:	2 1/2" x	1 3/8"
Center Rail:	2 1/2" x	1 3/8"
Bottom Rail:	4" x	1 3/8"
Panel Thickness:		3/4"



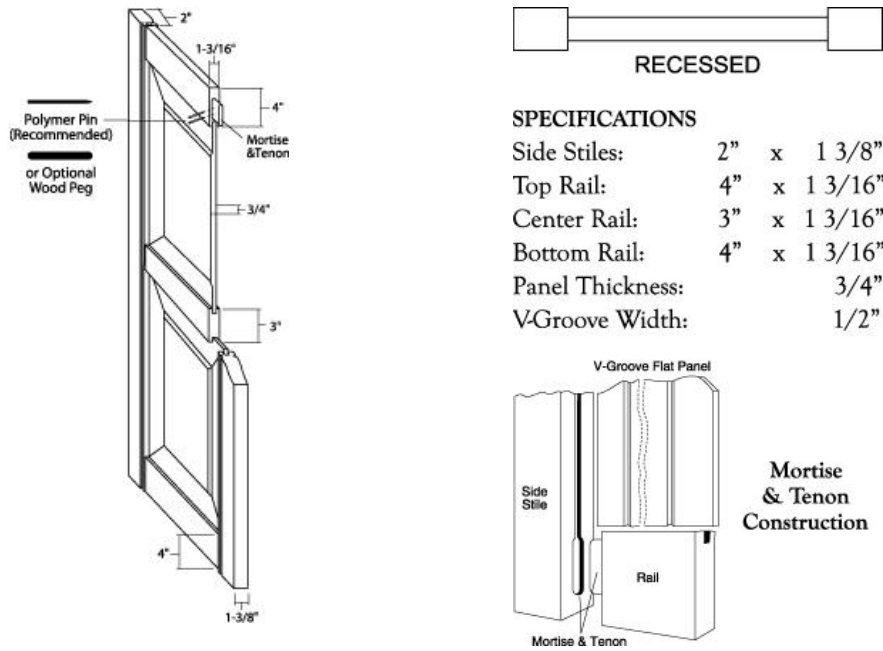
Mortise & Tenon Construction

Shutter shown with optional decorative trim inlay. See catalog for custom options.



Optional Trim Profiles

1-3/8" thick recessed stile & rail V-groove panel



Board & Batten shutters

